



VILLAGE OF COLD SPRING

85 MAIN STREET, COLD SPRING, NY 10516

TEL: (845) 265-3611

FAX: (845) 265-1002

WEB: WWW.COLDSRINGNY.GOV

DAVE MERANDY, MAYOR
MARIE EARLY, TRUSTEE
LYNN MILLER, TRUSTEE
FRANCES MURPHY, TRUSTEE
STEVE VOLOTO, TRUSTEE

JEFF VIDAKOVICH, CLERK/TREASURER
MICHELLE ASCOLILLO, ACCOUNTANT
LARRY BURKE, OFFICER-IN-CHARGE
Matt Kroog, WATER SUPERINTENDENT
ROBERT DOWNEY, HIGHWAY DEPARTMENT CREW CHIEF

Board of Trustees

Tuesday July 21, 2020 @ 6:30 PM

Via Video Conference Pursuant to Executive Order 202.1

1. Siding at Wastewater Treatment Plant
2. Old Business
 - a. Discussion on public restrooms
 - b. Discussion on garbage truck
 - c. Discussion on roof @ Highway Garage
 - d. Solution for Yard Debris dumping at Benedict Ave
 - e. Discussion on drainage at Fair Street
3. Approval of Minutes – 07/14/2020
4. Code Update Review - Chapters:
 - 104 Signs (with Marie & Lynn review & comments)
 - 106 Steep Slopes (with Marie review)
 - 52 Floodplain Management
 - 108 Streets & Sidewalks
 - 111 Subdivision of Land
 - 118 Taxation
 - 124 Unsafe Buildings
 - 127 Residential Parking Program
 - 130 Water
 - 132 Waterfront Consistency Review

The public is invited to attend the meeting as follows:

Time: Jul 21, 2020 06:30 PM Eastern Time (US and Canada)

Join Zoom Meeting

<https://zoom.us/j/94086293122?pwd=eVJpUnFZRUt5K3A3anhFLzIERG9SQTO9>

Meeting ID: 940 8629 3122

Password: 259033

To Join by Phone: (646) 558-8656

Meeting ID: 940 8629 3122

Password: 259033

Freightliner Truck
Includes price of
body mounting by
Kevin Reichard of
Riverview Industries
in Cold Spring

Prepared for:
Robert .
Village of Cold Spring
85 Main Street
Cold Spring, NY 10516
Phone: (845) 265-3611

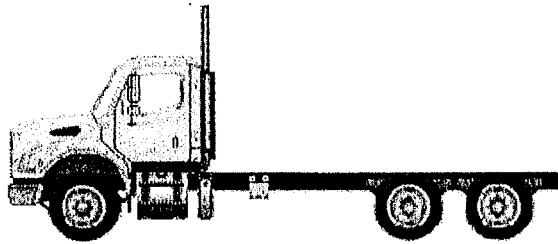
Prepared by:
Rick VanHaaster
CAMPBELL FREIGHTLINER OF
ORANGE COUNTY LLC
2040 ROUTE 208, SUITE 2
MONTGOMERY, NY 12549
Phone: 845 565 7700

A proposal for
Village of Cold Spring

Prepared by
CAMPBELL FREIGHTLINER OF ORANGE COUNTY LLC
Rick VanHaaster

Jul 02, 2020

Freightliner M2 112



Components shown may not reflect all spec'd options and are not to scale



Prepared for:
Robert .
Village of Cold Spring
85 Main Street
Cold Spring, NY 10516
Phone: (845) 265-3611

Prepared by:
Rick VanHaaster
CAMPBELL FREIGHTLINER OF
ORANGE COUNTY LLC
2040 ROUTE 208, SUITE 2
MONTGOMERY, NY 12549
Phone: 845 565 7700

Robert Robert .,

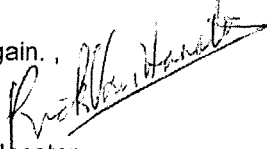
Here is current pricing for a replacement truck chassis for your garbage truck. This will be a 2021 model year Freightliner M2-112 custom built for Village of Cold Springs.

The unique geography that the truck will be working in requires ample horse power and a large enough transmission to climb those hills.

If we order the truck this week, it will be here some time in October and then Riverview Industries can swap your rear-load garbage body onto the new truck. His cost is included in the attached pricing.

No FET or Sales taxes were added.

Thanks again. ,



Rick VanHaaster



Prepared for:
 Robert .
 Village of Cold Spring
 85 Main Street
 Cold Spring, NY 10516
 Phone: (845) 265-3611

Prepared by:
 Rick VanHaaster
 CAMPBELL FREIGHTLINER OF
 ORANGE COUNTY LLC
 2040 ROUTE 208, SUITE 2
 MONTGOMERY, NY 12549
 Phone: 845 565 7700

Q U O T A T I O N

M2-112 CONVENTIONAL CHASSIS

SET BACK AXLE - TRUCK	18,000# TAPERLEAF FRONT SUSPENSION
DETROIT DD13 12.8L 370 HP @ 1625 RPM, 1900 GOV RPM, 1250 LB/FT @ 975 RPM	112 INCH BBC FLAT ROOF ALUMINUM CONVENTIONAL CAB
ALLISON 4500 RDS AUTOMATIC TRANSMISSION WITH PTO PROVISION	5850MM (230 INCH) WHEELBASE
RT-46-160 46,000# R-SERIES TANDEM REAR AXLE	7/16X3-9/16X11-1/8 INCH STEEL FRAME (11.11MMX282.6MM/0.437X11.13 INCH) 120KSI
HENDRICKSON HN462 @46,000# REAR SUSPENSION	1425MM (56 INCH) REAR FRAME OVERHANG
DETROIT DA-F-18.0-5 18,000# FL1 71.0 KPI/3.74 DROP SINGLE FRONT AXLE	

		PER UNIT	TOTAL
VEHICLE PRICE	TOTAL # OF UNITS (1)	\$ 111,346	\$ 111,346
EXTENDED WARRANTY		\$ 800	\$ 800
DEALER INSTALLED OPTIONS <i>---(Body Installation)---</i>	→	\$ 8,500	\$ 8,500
CUSTOMER PRICE BEFORE TAX		\$ 120,646	\$ 120,646

TAXES AND FEES

TAXES AND FEES	\$	0	\$	0
OTHER CHARGES	\$	0	\$	0

TRADE-IN

TRADE-IN ALLOWANCE	\$	(0)	\$	(0)
--------------------	----	-----	----	-----

BALANCE DUE	(LOCAL CURRENCY)	\$ 120,646	\$	120,646
-------------	------------------	------------	----	---------

COMMENTS:

Projected delivery on ___ / ___ / ___ provided the order is received before ___ / ___ / ___.

APPROVAL:

Please indicate your acceptance of this quotation by signing below:

Customer: X _____ Date: ___ / ___ / ___.

Daimler Truck Financial

Financing that works for you.

See your local dealer for a competitive quote from Daimler Truck Financial, or contact us at Information@dtfoffers.com.

Daimler Truck Financial offers a variety of finance, lease and insurance solutions to fit your business needs. For more information about our products and services, visit our website at www.daimler-truckfinancial.com.



Prepared for:
Robert .
Village of Cold Spring
85 Main Street
Cold Spring, NY 10516
Phone: (845) 265-3611

Prepared by:
Rick VanHaaster
CAMPBELL FREIGHTLINER OF
ORANGE COUNTY LLC
2040 ROUTE 208, SUITE 2
MONTGOMERY, NY 12549
Phone: 845 565 7700

CONDENSED SPECIFICATION PROPOSAL

Description

Vehicle Configuration

M2 112 CONVENTIONAL CHASSIS
SET BACK AXLE - TRUCK

Engine

DETROIT DD13 12.8L 370 HP @ 1625 RPM, 1900
GOV RPM, 1250 LB/FT @ 975 RPM

Engine Equipment

JACOBS COMPRESSION BRAKE
RH OUTBOARD UNDER STEP MOUNTED
HORIZONTAL AFTERTREATMENT SYSTEM
ASSEMBLY WITH RH B-PILLAR MOUNTED
VERTICAL TAILPIPE

Transmission

ALLISON 4500 RDS AUTOMATIC TRANSMISSION
WITH PTO PROVISION

Front Axle and Equipment

DETROIT DA-F-18.0-5 18,000# FL1 71.0 KPI/3.74
DROP SINGLE FRONT AXLE

Front Suspension

18,000# TAPERLEAF FRONT SUSPENSION

Rear Axle and Equipment

RT-46-160 46,000# R-SERIES TANDEM REAR AXLE
4.56 REAR AXLE RATIO

Rear Suspension

HENDRICKSON HN462 @46,000# REAR
SUSPENSION

Wheelbase & Frame

5850MM (230 INCH) WHEELBASE
7/16X3-9/16X11-1/8 INCH STEEL FRAME
(11.11MMX282.6MM/0.437X11.13 INCH) 120KSI

Fuel Tanks

60 GALLON/227 LITER ALUMINUM FUEL TANK - LH

Tires



Prepared for:
Robert .
Village of Cold Spring
85 Main Street
Cold Spring, NY 10516
Phone: (845) 265-3611

Prepared by:
Rick VanHaaster
CAMPBELL FREIGHTLINER OF
ORANGE COUNTY LLC
2040 ROUTE 208, SUITE 2
MONTGOMERY, NY 12549
Phone: 845 565 7700

Description

MICHELIN XZY-3 385/65R22.5 18 PLY RADIAL FRONT
TIRES
MICHELIN X WORKS XDY 11R24.5 16 PLY RADIAL
REAR TIRES

Wheels

ACCURIDE 29807 22.5X12.25 10-HUB PILOT 4.75
INSET 5-HAND STEEL DISC FRONT WHEELS
ACCURIDE 50409 24.5X8.25 10-HUB PILOT 2-HAND
STEEL DISC REAR WHEELS

Cab Exterior

112 INCH BBC FLAT ROOF ALUMINUM
CONVENTIONAL CAB

Color

CAB COLOR A: N0006EA WHITE ELITE SS
BLACK, HIGH SOLIDS POLYURETHANE CHASSIS
PAINT

ITEMS NOT INCLUDED IN ADJUSTED LIST
PRICE

Other Factory Charges

DELIVERY & ORDER PROCESSING CHARGE

(***) All cost increases for major components (Engines, Transmissions, Axles, Front and Rear Tires) and government mandated requirements, tariffs, and raw material surcharges will be passed through and added to factory invoices.



Prepared for:
 Robert .
 Village of Cold Spring
 85 Main Street
 Cold Spring, NY 10516
 Phone: (845) 265-3611

Prepared by:
 Rick VanHaaster
 CAMPBELL FREIGHTLINER OF
 ORANGE COUNTY LLC
 2040 ROUTE 208, SUITE 2
 MONTGOMERY, NY 12549
 Phone: 845 565 7700

Q U O T A T I O N

M2112 CONVENTIONAL CHASSIS

SET BACK AXLE - TRUCK	18,000# TAPERLEAF FRONT SUSPENSION
DETROIT DD13 12.8L 370 HP @ 1625 RPM, 1900 GOV RPM, 1250 LB/FT @ 975 RPM	112 INCH BBC FLAT ROOF ALUMINUM CONVENTIONAL CAB
ALLISON 4500 RDS AUTOMATIC TRANSMISSION WITH PTO PROVISION	5850MM (230 INCH) WHEELBASE
RT-46-160 46,000# R-SERIES TANDEM REAR AXLE	7/16X3-9/16X11-1/8 INCH STEEL FRAME (11.11MMX282.6MM/0.437X11.13 INCH) 120KSI
HENDRICKSON HN462 @46,000# REAR SUSPENSION	1425MM (56 INCH) REAR FRAME OVERHANG
DETROIT DA-F-18.0-5 18,000# FL1 71.0 KPI/3.74 DROP SINGLE FRONT AXLE	

			PER UNIT	TOTAL
VEHICLE PRICE	TOTAL # OF UNITS (1)	\$	119,846 \$	119,846
EXTENDED WARRANTY		\$	800 \$	800
DEALER INSTALLED OPTIONS		\$	0 \$	0
CUSTOMER PRICE BEFORE TAX		\$	120,646 \$	120,646

TAXES AND FEES

TAXES AND FEES	\$	0	\$	0
OTHER CHARGES	\$	0	\$	0

TRADE-IN

TRADE-IN ALLOWANCE	\$	(0)	\$	(0)
--------------------	----	-----	----	-----

BALANCE DUE	(LOCAL CURRENCY)	\$	120,646 \$	120,646
-------------	------------------	----	------------	---------

COMMENTS:

Projected delivery on ___ / ___ / ___ provided the order is received before ___ / ___ / ___.

APPROVAL:

Please indicate your acceptance of this quotation by signing below:

Customer: X _____ Date: ___ / ___ / ___.

Daimler Truck Financial

Financing that works for you.

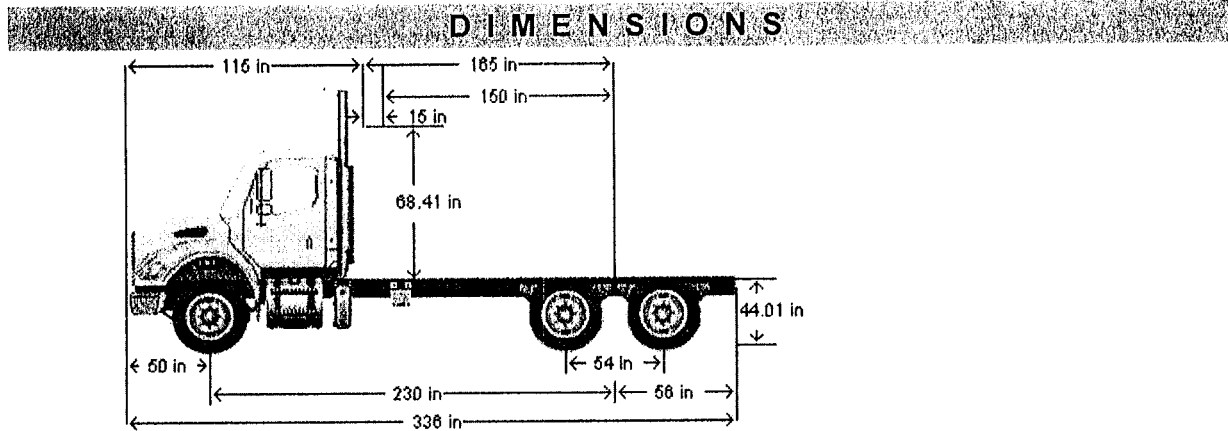
See your local dealer for a competitive quote from Daimler Truck Financial, or contact us at Information@dtfoffers.com.

Daimler Truck Financial offers a variety of finance, lease and insurance solutions to fit your business needs. For more information about our products and services, visit our website at www.daimler-truckfinancial.com.



Prepared for:
 Robert .
 Village of Cold Spring
 85 Main Street
 Cold Spring, NY 10516
 Phone: (845) 265-3611

Prepared by:
 Rick VanHaaster
 CAMPBELL FREIGHTLINER OF
 ORANGE COUNTY LLC
 2040 ROUTE 208, SUITE 2
 MONTGOMERY, NY 12549
 Phone: 845 565 7700



VEHICLE SPECIFICATIONS SUMMARY - DIMENSIONS

Model.....	M2112
Wheelbase (545)	5850MM (230 INCH) WHEELBASE
Rear Frame Overhang (552)	1425MM (56 INCH) REAR FRAME OVERHANG
Fifth Wheel (578)	NO FIFTH WHEEL
Mounting Location (577).....	NO FIFTH WHEEL LOCATION
Maximum Forward Position (in).....	0
Maximum Rearward Position (in)	0
Amount of Slide Travel (in).....	0
Slide Increment (in).....	0
Desired Slide Position (in).....	0.0
Cab Size (829).....	112 INCH BBC FLAT ROOF ALUMINUM CONVENTIONAL CAB
Sleeper (682).....	NO SLEEPER BOX/SLEEPERCAB
Exhaust System (016).....	RH OUTBOARD UNDER STEP MOUNTED HORIZONTAL AFTERTREATMENT SYSTEM ASSEMBLY WITH RH B-PILLAR MOUNTED VERTICAL TAILPIPE

TABLE SUMMARY - DIMENSIONS



Prepared for:
 Robert .
 Village of Cold Spring
 85 Main Street
 Cold Spring, NY 10516
 Phone: (845) 265-3611

Prepared by:
 Rick VanHaaster
 CAMPBELL FREIGHTLINER OF
 ORANGE COUNTY LLC
 2040 ROUTE 208, SUITE 2
 MONTGOMERY, NY 12549
 Phone: 845 565 7700

Dimensions	Inches
Bumper to Back of Cab (BEC)	115.4
Bumper to Centerline of Front Axle (BA)	49.9
Min. Cab to Body Clearance (CB)	3.0
Back of Cab to Centerline of Rear Axle(s) (CA)	164.8
Effective Back of Cab to Centerline of Rear Axle(s) (Effective CA)	150.0
Back of Cab Protrusions (Exhaust/Intake) (CP)	14.8
Back of Cab Protrusions (Side Extenders/Frim Tab) (CP)	0.0
Back of Cab Protrusions (CNG Tank)	0.0
Back of Cab Clearance (CL)	14.8
Back of Cab to End of Frame	220.9
Cab Height (CH)	63.1
Wheelbase (WB)	230.3
Frame Overhang (OI)	55.1
Overall Length (OAL)	335.3
Rear Axle Spacing	54.0
Unit Deck Frame Height at Centerline of Rear Axle	44.0

Performance calculations are estimates only. If performance calculations are critical, please contact Customer Application Engineering.



Prepared for:
 Robert .
 Village of Cold Spring
 85 Main Street
 Cold Spring, NY 10516
 Phone: (845) 265-3611

Prepared by:
 Rick VanHaaster
 CAMPBELL FREIGHTLINER OF
 ORANGE COUNTY LLC
 2040 ROUTE 208, SUITE 2
 MONTGOMERY, NY 12549
 Phone: 845 565 7700

G V W R

VEHICLE SPECIFICATIONS SUMMARY - GVWR

Model.....	M2112
Cab Size (829).....	112 INCH BBC FLAT ROOF ALUMINUM CONVENTIONAL CAB
Expected Front Axle(s) Load (lbs).....	18000.0
Expected Pusher Axle(s) Load (lbs).....	0.0
Expected Rear Axle(s) Load (lbs).....	46000.0
Expected Tag Axle(s) Load (lbs).....	0.0
Expected GVW (lbs).....	64000
Expected GCW (lbs).....	0.0
Front Axle (400).....	DETROIT DA-F-18.0-5 18,000# FL1 71.0 KPI/3.74 DROP SINGLE FRONT AXLE
Front Suspension (620).....	18,000# TAPERLEAF FRONT SUSPENSION
Front Hubs (418).....	CONMET PRESET PLUS PREMIUM IRON FRONT HUBS
Front Disc Wheels (502).....	ACCURIDE 29807 22.5X12.25 10-HUB PILOT 4.75 INSET 5-HAND STEEL DISC FRONT WHEELS
Front Tires (093).....	MICHELIN XZY-3 385/65R22.5 18 PLY RADIAL FRONT TIRES
Front Brakes (402).....	MERITOR 16.5X6 Q+ CAST SPIDER CAM FRONT BRAKES, DOUBLE ANCHOR, FABRICATED SHOES
Steering Gear (536).....	TRW TAS-85 POWER STEERING
Rear Axle (420).....	RT-46-160 46,000# R-SERIES TANDEM REAR AXLE
Rear Suspension (622).....	HENDRICKSON HN462 @46,000# REAR SUSPENSION
Rear Hubs (450).....	CONMET PRESET PLUS PREMIUM IRON REAR HUBS
Rear Disc Wheels (505).....	ACCURIDE 50409 24.5X8.25 10-HUB PILOT 2-HAND STEEL DISC REAR WHEELS
Rear Tires (094).....	MICHELIN X WORKS XDY 11R24.5 16 PLY RADIAL REAR TIRES
Rear Brakes (423).....	MERITOR 16.5X7 Q+ CAST SPIDER HEAVY DUTY CAM REAR BRAKES, DOUBLE ANCHOR, FABRICATED SHOES
Pusher / Tag Axle (443).....	NO PUSHER OR TAG AXLE
Pusher / Tag Suspension (626).....	NO PUSHER OR TAG SUSPENSION
Pusher / Tag Hubs (449).....	NO PUSHER OR TAG HUBS
Pusher/Tag Disc Wheels (509).....	NO PUSHER/TAG DISC WHEELS
Pusher / Tag Tires (095).....	NO PUSHER/TAG TIRES
Pusher / Tag Brakes (456).....	NO PUSHER/TAG BRAKES

TABLE SUMMARY - GVWR



Prepared for:
 Robert .
 Village of Cold Spring
 85 Main Street
 Cold Spring, NY 10516
 Phone: (845) 265-3611

Prepared by:
 Rick VanHaaster
 CAMPBELL FREIGHTLINER OF
 ORANGE COUNTY LLC
 2040 ROUTE 208, SUITE 2
 MONTGOMERY, NY 12549
 Phone: 845 565 7700

	Front	Rear 1	Rear 2
Axle Component Weight Ratings			
Axles	18000	23000	23000
Suspension	18000	23000	23000
Hubs	23000	26000	26000
Brakes	20000	23000	23000
Wheels	23000	29200	29200
Tires	18740	26440	26440
Power Steering	18000	N/A	N/A
GAWR (per axle)	18000	23000	23000
GAWR (per axle system)	18000		46000
Expected Load (per axle system)	18000		46000
GVWR due to Frame	90000		
GVWR due to Transmission	300000		
Vehicle GVWR Summary			
Calculated GVWR	64000		
Expected GVWR	64000		
All weights displayed in pounds			

Performance calculations are estimates only. If performance calculations are critical, please contact Customer Application Engineering.



International truck

Price for truck only
Does Not Include Price
for mounting

Riverview's Price to
Mount is
\$8,500.00



BEN FUNK

STORE LOCATIONS

HUDSON, NY
3609 Route 9
Hudson, NY 12534
Phone: 518-851-3581
Fax: 518-851-2158
DMV# 3110008

ONEONTA, NY
9875 State Rte. 23
Oneonta, NY 13820
Tel: 807-278-5811
Fax: 607-278-6812
DMV# 7095288

7/14/2020

Village of Cold Spring
85 Main St.
Cold Spring, NY 10516
Robert Downey
845-265-4883

First I want to thank you for offering us the opportunity to work with you. Ben Funk is pleased to offer the following cab chassis. The chassis is a 2021 International HV 507 SFA 6x4 similar to the truck you are replacing. The price includes extended warranties for towing, engine, aftertreatment, transmission and vehicle. If you have any questions, please call. Also Ben Funk stocks approximately 2.5 million dollars in parts, so the chances are good that we will have what you need when you call.

2020International HV507 SFA 6x4 Day Cab

\$89,400.00

Extended Warranties

Towing	60 month	unlimited mileage	\$550/tow
Engine	60 month	100,000 miles	
Vehicle	60 month	100,000 miles	
Aftertreatment	60 month	100,000 miles	
Allison Trans.	60 month	unlimited mileage	

Respectfully submitted,

John McCormack



**PARTS FOR ALL MAKES
NEW AND USED
TRUCKS SALES AND SERVICE**



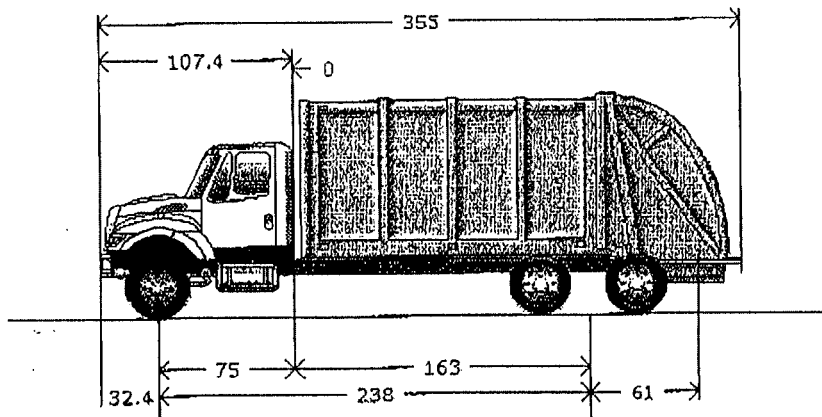
INTERNATIONAL®

July 15, 2020

Prepared For:
 Village of Cold Spring
 Robert Downey
 85 Main St
 Cold Spring, NY 10516-2810
 (845)265 - 4883
 Reference ID: N/A

Presented By:
 ALLEGIANCE TRUCKS
 John McCormack
 3609 US ROUTE 9
 HUDSON NY 125344330
 518-851-3581

Thank you for the opportunity to provide you with the following quotation on a new International truck. I am sure the following detailed specification will meet your operational requirements, and I look forward to serving your business needs.



Model Profile
2021 HV507 SFA (HV507)

AXLE CONFIG:	6X4
APPLICATION:	Packer - Rear Loader
MISSION:	Requested GVWR: 56000. Calc. GVWR: 56000 Calc. Start / Grade Ability: 24.47% / 2.12% @ 55 MPH Calc. Geared Speed: 64.1 MPH
DIMENSION:	Wheelbase: 238.00, CA: 163.00, Axle to Frame: 61.00
ENGINE, DIESEL:	{Cummins L9 350} EPA 2017, 350HP @ 2000 RPM, 1000 lb-ft Torque @ 1400 RPM, 2200 RPM Governed Speed, 350 Peak HP (Max)
TRANSMISSION, AUTOMATIC:	{Allison 3000 RDS} 5th Generation Controls, Close Ratio, 6-Speed with Double Overdrive, with PTO Provision, Less Retarder, Includes Oil Level Sensor, with 62,000-lb GVW Max, Refuse/Mixer Omit Item (Clutch & Control)
CLUTCH:	{Meritor MFS-16-143A} Wide Track, I-Beam Type, 16,000-lb Capacity
AXLE, FRONT NON-DRIVING:	{Meritor MT-40-14X-4DCR} Single Reduction, 40,000-lb Capacity, .433"(11mm) Wall Housing Thickness, Driver Controlled Locking Differential in Forward-Rear and Rear-Rear Axle, R Wheel Ends Gear Ratio: 6.43
AXLE, REAR, TANDEM:	Conventional, Day Cab
CAB:	(2) 315/80R22.5 Load Range L G289 WHA (GOODYEAR), 484 rev/mile, 68 MPH, All-Position
TIRE, FRONT:	(8) 11R22.5 Load Range H ARMOR MAX MSD (GOODYEAR), 493 rev/mile, 68 MPH, Drive
TIRE, REAR:	{Hendrickson PRIMAAX EX} 46,000-lb Capacity, 55" Axle Spacing, 9.0" Ride Height, with Shock Absorbers
SUSPENSION, REAR, AIR, TANDEM:	Cab schematic 100WK Location 1: 9219, Winter White (Std) Chassis schematic N/A
PAINT:	

INTERNATIONAL***Vehicle Specifications
2021 HV507 SFA (HV607)**

July 15, 2020

<u>Code</u>	<u>Description</u>	<u>F/R Wt</u> (lbs)	<u>Tot Wt</u> (lbs)
HV50700	Base Chassis, Model HV507 SFA with 238.00 Wheelbase, 163.00 CA, and 61.00 Axle to Frame.	5946/3741	9687
1570	TOW HOOK, FRONT (2) Frame Mounted	8/0	8
1AND	AXLE CONFIGURATION (Navistar) 6x4	0/0	0
1CAJ	FRAME RAILS Heat Treated Alloy Steel (120,000 PSI Yield); 10.866" x 3.622" x 0.437" (276.0mm x 92.0mm x 11.1mm); 456.0" (11582mm) Maximum OAL	280/449	729
1LLA	BUMPER, FRONT Swept Back, Steel, Heavy Duty	0/0	0
1WGC	WHEELBASE RANGE 228" (580cm) Through and Including 270" (685cm)	0/0	0
2ARU	AXLE, FRONT NON-DRIVING (Meritor MFS-16-143A) Wide Track, I-Beam Type, 16,000-lb Capacity	148/0	148
3770	SPRINGS, FRONT AUXILIARY Rubber	10/0	10
3ADE	SUSPENSION, FRONT, SPRING Parabolic Taper Leaf, Shackle Type, 16,000-lb Capacity, with Shock Absorbers	44/0	44
4091	BRAKE SYSTEM, AIR Dual System for Straight Truck Applications	0/0	0
4732	DRAIN VALVE (Berg) with Pull Chain, for Air Tank	0/0	0
4AZA	AIR BRAKE ABS (Bendix AntiLock Brake System) 4-Channel (4 Sensor/4 Modulator) Full Vehicle Wheel Control System	0/0	0
4EBS	AIR DRYER (Bendix AD-9) with Heater	20/8	28
4EXU	BRAKE CHAMBERS, REAR AXLE (Bendix EverSure) 30/30 Spring Brake	0/14	14
4EXV	BRAKE CHAMBERS, FRONT AXLE (Bendix) 24 Sqn	4/0	4
4LAG	SLACK ADJUSTERS, FRONT (Gunitex) Automatic	14/0	14
4LGG	SLACK ADJUSTERS, REAR (Gunitex) Automatic	0/28	28
4SPA	AIR COMPRESSOR (Cummins) 18.7 CFM	0/0	0
4VKC	AIR DRYER LOCATION Mounted Inside Left Rail, Back of Cab	15/6	21
4VKH	AIR TANK LOCATION (2) Mounted Under Battery Box, Outside Right Rail, Under Cab	0/0	0
4WBX	DUST SHIELDS, FRONT BRAKE for Air Cam Brakes	10/0	10
4WDM	DUST SHIELDS, REAR BRAKE for Air Cam Brakes	0/20	20
4XCZ	BRAKES, REAR (Meritor 16.5X7 P) Air S-Cam Type, Cast Spider, Cast Shoe, Double Anchor Pin, Includes Greaseable and Zinc Coated Anchor Pins, Size 16.5" X 7", 38,000-lb Capacity per Axle	0/212	212
4XDT	BRAKES, FRONT (Meritor 16.5X6 Q-PLUS CAST) Air S-Cam Type, Cast Spider, Fabricated Shoe, Double Anchor Pin, Size 16.5" X 6", 20,000-lb Capacity	33/0	33
4XEE	PARK BRAKE CHAMBERS, ADDITIONAL (2) Spring Brake Type	0/60	60
5AAA	STEERING COLUMN Stationary	0/0	0
5CAW	STEERING WHEEL 4-Spoke; 18" Dia., Black	0/0	0
5PTB	STEERING GEAR (2) (Sheppard M100/M80) Dual Power	91/-4	87
6DGZ	DRIVELINE SYSTEM (Dana Spicer) 1710 Main Driveline with 1710 Interaxle Shaft, for 6x4	4/24	28

INTERNATIONAL***Vehicle Specifications
2021 HV607 SFA (HV507)**

July 16, 2020

<u>Code</u>	<u>Description</u>	<u>F/R Wt</u> (lbs)	<u>Tot Wt</u> (lbs)
7BKY	EXHAUST SYSTEM Single, Horizontal Aftertreatment Device, Frame Mounted Under Right Rail Back of Cab, Includes Single Short Horizontal Tail Pipe	0/0	0
7SCP	ENGINE EXHAUST BRAKE for Cummins ISB/B6.7/ISL/L9 Engine with Variable Vane Turbo Charger	0/0	0
7WZX	SWITCH, FOR EXHAUST 3 Position, Momentary, Lighted Momentary, ON/CANCEL, Center Stable, INHIBIT REGEN, Mounted in IP Inhibits Diesel Particulate Filter Regeneration When Switch is Moved to ON While Engine is Running, Resets When Ignition is Turned OFF	2/0	2
8000	ELECTRICAL SYSTEM 12-Volt, Standard Equipment	0/0	0
8518	CIGAR LIGHTER Includes Ash Cup	1/0	1
8541	HORN, ELECTRIC (2) Disc Style	1/0	1
8GXD	ALTERNATOR (Leece-Neville AV1160P2013) Brush Type; 12 Volt 160 Amp. Capacity, Pad Mount, with Remote Sense	0/0	0
8HAB	BODY BUILDER WIRING Back of Day Cab at Left Frame or Under Sleeper, Extended or Crew Cab at Left Frame; Includes Sealed Connectors for Tail/Amber Turn/Marker/ Backup/Accessory Power/Ground and Sealed Connector for Stop/Turn	2/0	2
8MSG	BATTERY SYSTEM (Fleetrite) Maintenance-Free, (3) 12-Volt 1980CCA Total, Top Threaded Stud	32/21	53
8NAA	TAIL LIGHT WIRING MODIFIED Includes: Wiring for Standard Lt & Rt Tail Lights; Separate 8.0' of Extra Cable Wiring for Lt & Rt Body Mounted Tail Lights	0/2	2
8RGA	2-WAY RADIO Wiring Effects; Wiring with 20 Amp Fuse Protection, Includes Ignition Wire with 5 Amp Fuse, Wire Ends Heat Shrink and Routed to Center of Header Console in Cab	2/0	2
8RMV	SPEAKERS (2) 6.5" Dual Cone Mounted in Doors	0/0	0
8RPT	RADIO AM/FM/WB/Clock/USB Input/Auxiliary Input	3/0	3
8THB	BACK-UP ALARM Electric, 102 dBA	0/3	3
8TMH	SWITCH, AUXILIARY Accessory Control; for Wiring in Roof, with Maximum of 20 amp Load with Switches In Instrument Panel	1/0	1
8TTR	BATTERY BOX Steel, with Plastic Cover, 30" Wide, 2-4 Battery Capacity, Mounted Right Side Under Cab	0/0	0
8VNH	RUNNING LIGHT (2) Daytime	0/0	0
8WPH	CLEARANCE/MARKER LIGHTS (5) (Truck Lite) Amber LED Lights, Flush Mounted on Cab or Sunshade	0/0	0
8WPZ	TEST EXTERIOR LIGHTS Pre-Trip Inspection will Cycle all Exterior Lamps Except Back-up Lights	0/0	0
8WRB	HEADLIGHTS ON WWIPERS Headlights Will Automatically Turn on if Windshield Wipers are turned on	0/0	0
8WWJ	INDICATOR, LOW COOLANT LEVEL with Audible Alarm	0/0	0
8WXG	STARTING MOTOR (Mitsubishi Electric Automotive America 105P) 12-Volt, with Soft-Start	9/1	10
8XAH	CIRCUIT BREAKERS Manual-Reset (Main Panel) SAE Type III with Trip Indicators, Replaces All Fuses	0/0	0

INTERNATIONAL®**Vehicle Specifications
2021 HV507 SFA (HV507)**

July 16, 2020

<u>Code</u>	<u>Description</u>	<u>F/R Wt</u> (lbs)	<u>Tot Wt</u> (lbs)
8XGT	TURN SIGNALS, FRONT Includes LED Side Turn Lights Mounted on Fender	0/0	0
8XHD	BATTERY DISCONNECT SWITCH 300 Amp, Disconnects Charging Circuits, Locks with Padlock, Cab Mounted	2/0	2
8XHN	HORN, AIR Single Trumpet, Black, with Lanyard Pull Cord	3/0	3
8XHR	POWER SOURCE, ADDITIONAL Auxiliary Power Outlet (APO) & USB Port, Located in the Instrument Panel	0/0	0
9585	FENDER EXTENSIONS Rubber	6/0	6
9AAB	LOGOS EXTERIOR Model Badges	0/0	0
9AAE	LOGOS EXTERIOR, ENGINE Badges	0/0	0
9HBM	GRILLE Stationary, Chrome	0/0	0
9HBN	INSULATION, SPLASH PANELS for Sound Abatement	2/0	2
9WAC	BUG SCREEN Mounted Behind Grille	5/0	5
9WBC	FRONT END Tilting, Fiberglass, with Three Piece Construction, for WorkStar/HV	0/0	0
10060	PAINT SCHEMATIC, PT-1 Single Color, Design 100	0/0	0
10761	PAINT TYPE Base Coat/Clear Coat, 1-2 Tone	0/0	0
10BAE	LABEL, DEF "DEF ONLY"	0/0	0
10RHG	DUAL DRIVE Customer Does Not Intend to Convert to In-Cab Dual Drive Positions	0/0	0
10SLV	PROMOTIONAL PACKAGE Government Silver Package	0/0	0
10WCY	SAFETY TRIANGLES	6/0	6
11001	CLUTCH Omit Item (Clutch & Control)	0/0	0
12703	ANTI-FREEZE Red, Extended Life Coolant; To -40 Degrees F/ -40 Degrees C, Freeze Protection	0/0	0
12849	BLOCK HEATER, ENGINE 120V/1000W, for Cummins ISB/B6.7/ISL/L9 Engines	3/0	3
12EHX	ENGINE, DIESEL (Cummins L9 350) EPA 2017, 350HP @ 2000 RPM, 1000 lb-ft Torque @ 1400 RPM, 2200 RPM Governed Speed, 350 Peak HP (Max)	561/3	564
12THT	FAN DRIVE (Horton Drivemaster) Direct Drive Type, Two Speed with Residual Torque Device for Disengaged Fan Speed	0/0	0
12UWZ	RADIATOR Aluminum, Cross Flow, Front to Back System, 1228 SqIn, with 1167 SqIn Charge Air Cooler, Includes In-Tank Oil Cooler	22/4	18
12VBC	AIR CLEANER Single Element	0/0	0
12VHJ	FEDERAL EMISSIONS (Cummins L9) EPA, OBD and GHG Certified for Calendar Year 2020	0/0	0
12VXT	THROTTLE, HAND CONTROL Engine Speed Control; Electronic, Stationary, Variable Speed; Mounted on Steering Wheel	0/0	0
12WZE	EMISSION COMPLIANCE Federal, Does Not Comply with California Clean Air Idle Regulations	0/0	0
12XAT	ENGINE CONTROL, REMOTE MOUNTED Provision for; Includes Wiring for Body Builder Installation of PTO Controls, with Ignition Switch Control, for Cummins ISB/ B6.7 and ISL/L9 Engines	0/0	0

INTERNATIONAL®**Vehicle Specifications
2021 HV507 SFA (HV507)**

July 15, 2020

<u>Code</u>	<u>Description</u>	<u>F/R Wt</u> (lbs)	<u>Tot Wt</u> (lbs)
13AAZ	AUTOMATIC NEUTRAL Allison 3000 & 4000 Series Transmission Shifts to Neutral When Parking Brake is Engaged	0/0	0
13AVS	TRANSMISSION, AUTOMATIC (Allison 3000 RDS) 5th Generation Controls, Close Ratio, 6-Speed with Double Overdrive, with PTO Provision, Less Retarder, Includes Oil Level Sensor, with 62,000-lb GVW Max, Refuse/Mixer	226/57	283
13WET	TRANSMISSION SHIFT CONTROL Column Mounted Stalk Shifter	0/0	0
13WLP	TRANSMISSION OIL Synthetic; 29 thru 42 Pints	0/0	0
13WUJ	ALLISON SPARE INPUT/OUTPUT for Rugged Duty Series (RDS), Front Loaders, Rear Loaders, Recycling/Packer Trucks, Package Number 142	0/0	0
13WVV	NEUTRAL AT STOP Allison Transmission Shifts to Neutral When Service Brake is Depressed and Vehicle is at Stop; Remains in Neutral Until Service Brake is Released	0/0	0
13WYH	TRANSMISSION TCM LOCATION Located Inside Cab	0/0	0
13WYU	SHIFT CONTROL PARAMETERS (Allison) 3000 or 4000 Series Transmissions, Performance Programming	0/0	0
13XAA	PTO CONTROL, DASH MOUNTED For Customer Provided PTO; Includes Switch, Electric/Air Solenoid, Piping and Wiring	5/0	5
13XAL	PTO LOCATION Customer Intends to Install PTO at Left Side of Transmission	0/0	0
14GVN	AXLE, REAR, TANDEM (Meritor MT-40-14X-4DCR) Single Reduction, 40,000-lb Capacity, .433"(11mm) Wall Housing Thickness, Driver Controlled Locking Differential in Forward-Rear and Rear-Rear Axle, R Wheel Ends, Gear Ratio: 6.43	0/2117	2117
14UNX	SUSPENSION, REAR, AIR, TANDEM (Hendrickson PRIMAX EX) 46,000-lb Capacity, 55" Axle Spacing, 9.0" Ride Height, with Shock Absorbers	0/720	720
15LMA	LOCATION FUELWATER SEPARATOR Mounted Outside Left Rail, 15" Back of Cab	0/0	0
15LMN	FUELWATER SEPARATOR (Racor 400 Series,) 12 VDC Electric Heater, Includes Pre-Heater, with Primer Pump, Includes Water-in-Fuel Sensor	0/0	0
15SGG	FUEL TANK Top Draw, Non-Polished Aluminum, D-Style, 19" Tank Depth, 70 US Gal (265L), Mounted Left Side, Under Cab	10/7	17
15WDG	DEF TANK 7 US Gal (26L) Capacity, Frame Mounted Outside Left Rail, Under Cab	0/0	0
16030	CAB Conventional, Day Cab	0/0	0
16BAM	AIR CONDITIONER with Integral Heater and Defroster	55/1	56
16GDC	GAUGE CLUSTER Base Level; English with English Speedometer and Tachometer, for Air Brake Chassis, Includes Engine Coolant Temperature, Primary and Secondary Air Pressure, Fuel and DEF Gauges, Oil Pressure Gauge, Includes 3 Inch Monochromatic Text Display	0/0	0
16HGH	GAUGE, OIL TEMP, AUTO TRANS for Allison Transmission	1/0	1
16HKT	IP CLUSTER DISPLAY On Board Diagnostics Display of Fault Codes in Gauge Cluster	0/0	0
16JNT	SEAT, DRIVER (National 2000) Air Suspension, High Back with Integral Headrest, Vinyl, Isolator, 1 Chamber Lumbar, with 2 Position Front Cushion Adjust, -3 to +14 Degree Angle Back Adjust	-14/-4	-18

July 15, 2020

INTERNATIONAL®**Vehicle Specifications
2021 HV507 8FA (HV607)**

<u>Code</u>	<u>Description</u>	<u>F/R Wt</u> (lbs)	<u>Tot Wt</u> (lbs)
16SDC	GRAB HANDLE, EXTERIOR (2) Chrome, Towel Bar Type, with Anti-Slip Rubber Inserts, for Cab Entry Mounted Left and Right Side at B-Pillar	6/0	6
16SMH	SEAT, TWO-MAN PASSENGER (National) Fixed Back, Integrated Headrest in Both Occupant Positions, Vinyl, with Under Seat Storage Compartment	44/26	70
16SNP	MIRRORS (2) C-Loop, Power Adjust, Heated, Black Heads and Arms, 7.5" x 14" Flat Glass, Includes 7.5" x 7" Convex Mirrors, for 102" Load Width	0/0	0
16VKB	CAB INTERIOR TRIM Classic, for Day Cab	0/0	0
16WBY	ARM REST, RIGHT, DRIVER SEAT	3/0	3
16WJU	WINDOW, POWER (2) and Power Door Locks, Left and Right Doors, Includes Express Down Feature	5/0	5
16WSK	CAB REAR SUSPENSION Air Bag Type	0/0	0
16XJN	INSTRUMENT PANEL Flat Panel	0/0	0
16ZBT	ACCESS, CAB Steel, Driver & Passenger Sides, Two Steps per Door, for use with Day Cab and Extended Cab	0/0	0
27DPN	WHEELS, FRONT (Accuride 29039) DISC; 22.5x9.00 Rims, Powder Coat Steel, 5-Hand Hole, 10-Stud, 285.75mm BC, Hub-Piloted, Flanged Nut, with Steel Hubs, Non-Standard Offset, with .5" Thick Disc	62/0	62
28DTT	WHEELS, REAR (Accuride 28828) DUAL DISC; 22.5x8.25 Rims, Powder Coat Steel, 2-Hand Hole, 10-Stud, 285.75mm BC, Hub-Piloted, Flanged Nut, with .472" Thick Increased Capacity Disc and with Steel Hubs	0/56	56
29WAP	WHEEL GUARDS, FRONT (Accuride) for Metric Hub Piloted Wheels with Flanged Mounting Nuts Mounted Between Hub and Wheel	0/0	0
29WAR	WHEEL GUARDS, REAR (Accuride) for Metric Hub Piloted Wheels with Flanged Mounting Nuts, Mounted Between Hub & Wheel and Between Dual Wheels	0/0	0
7382138133	(8) TIRE, REAR 11R22.5 Load Range H ARMOR MAX MSD (GOODYEAR), 493 rev/mile, 68 MPH, Drive	0/160	160
7782548109	(2) TIRE, FRONT 315/80R22.5 Load Range L G289 WHA (GOODYEAR), 484 rev/mile, 68 MPH, All-Position	56/0	56
Services Section:			
40128	WARRANTY Standard for HV507, HV50B, HV607 Models, Effective with Vehicles Built July 1, 2017 or Later, CTS-2025A	0/0	0
40PUY	SRV CONTRACT, EXT VEH COVERAGE (Navistar) To 60-Month/100,000 Miles (160,000 km), Excludes Extended Warranty for Engine and Transmission	0/0	0
40RBK	SERVICES, TOWING (Navistar) Service Call to 60-Month/Unlimited Mileage to the Nearest Navistar Dealer for Navistar Warrantable Failure as Contract Defined; Includes Engine Failure if Supplier Declines Tow Coverage & ESC Supplied thru Navistar; \$550 (USA) Maximum Benefit per Incident	0/0	0
40RBT	PROMOTIONAL CREDIT for Extended Vehicle Coverage (40PUY)	0/0	0
40SZD	SRV CONTRACT, EXT CMS ENG/AFTR (Cummins) To 60-Month/100,000 Miles (160,000 km), Extended Cummins L9 Engine Coverage, Protection Plan 1 and Aftertreatment	0/0	0
Total Component Weight:		7749/7724	15473

INTERNATIONAL®

Vehicle Specifications
2021 HV607 SFA (HV507)

July 16, 2020

The weight calculations included in this proposal are an estimate of future vehicle weight. The actual weight as manufactured may be different from the estimated weight. Navistar, Inc. shall not be liable for any consequences resulting from any differences between the estimated weight of a vehicle and the actual weight.

Peterbilt Truck
Price for truck only
DOES NOT INCLUDE
MOUNTING

Riverview Industries
Price to Mount is
\$8,500.00

VMXXR036-1
UNIT TYPE 2

FOR VIN 2NP3LJ0X9LM652932
OF FLEET 652932 THRU 652933

AS OF 09/23/19

DEALER CODE - M251
NAME AND ADDRESS
WHITED PBLT OF MAINE

CUSTOMER NO - CGZ9
348 LWB CC

DATES
REQ DELV 09/16/19

2160 HOTEL ROAD

DELIVERY 09/23/19
PRIC RFF 09/23/19

AUBURN ME 04210

PREVIOUS CHASSIS NO.

THE FOLLOWING LIST DESCRIBES ALL COMPONENTS USED FOR THIS CHASSIS
DIMENSIONS AND WEIGHTS FOR THE ENTIRE ORDER ARE STATED IN CUSTOMARY.

APPLICATION

COMMODITY HAULED 0091200 OTHER COMMODITY

INTENDED SERVICE 0093340 CITY DELIVERY

BODY

BODY TYPE 0095010 PLATFORM W/DEVICES

BODY LENGTH 240.00 IN BODY HEIGHT 162.00 IN
MAX LADEN WEIGHT 3500.00 LBS

TRAILER

TRAILER TYPE

TRAILER LENGTH .00 FT TRAILER HEIGHT .00 FT
KINGPIN .00 IN CTR LINE AXLE GRP .00 IN
CORNER RADIUS .00 IN NO TRAILER AXLES 00

OPERATING AREA RESTRICTIONS

LENGTH 40.00 FT WIDTH 102.00 IN HEIGHT 13.50 FT
**** DEALER ASSIGNED:

CHASSIS

FRONT AXLE LOAD 20000.00 LBS REAR AXLE LOAD 40000.00 LBS GCW 60000.00 LBS
WHEELBASE 274.00 IN FAX/BOC 69.80 IN CAB/AXLE 204.20 IN
CAB/EOF 311.00 IN MAXIMUM GRADE 06 PERCENT HIGHWAY 095 % CLASS B 005
% CLASS C 000
% CLASS D 000

SPECIAL REQUIREMENTS
SPECIAL RESTRICTIONS 0098170 UNITED STATES REGISTRY

ENGINEERING ASSIGNED RATINGS			
GAWR FRONT:	20,000.00 LBS		
GAWR FIRST INTER	20,000.00 LBS	SECOND INTER	20,000.00 LBS
GAWR REAR:	0.00 LBS		
GVWR:	60,000.00 LBS		

CODE	DESCRIPTION	PUB CD	PRICE	WEIGHT
-----	-----	---	-----	-----
BASE MODEL				
0003481	MODEL 348 MEDIUM DUTY	P	106,946	10,611
0200700	NOT APPLICABLE	P	0	0
	SECONDARY MANUFACTURER			
FRAME AND EQUIPMENT				
0519180	11-5/8" STEEL RAILS TO 444" 3/8" RAIL THICKNESS	P	1,222	880
0611330	ZINC COATED ANTI CORROSION TREATED FRME RAILS - REQUIRES FRAME RAIL CODE	P	348	0
0612220	274" WHEELBASE	P	0	0
0613090	THREE-PIECE CROSSMEMBERS	P	0	0
0644090	EOF SQUARE WITHOUT CROSSMEMBER USE WITH BODY BUILDER INSTALLED XMBR	P	0	0
0651090	OMIT REAR MUDFLAPS & HANGERS	P	0	0
FRONT AXLE AND EQUIPMENT				
1011890	PACCAR STEER AXLE 20,000 LBS., 4" DROP	P	1,303	170
1114030	TAPER LEAF SPRINGS, SHOCKS 20,000 LBS.	P	1,304	190
1243050	POWER STEERING SHEPPARD HD94 DUAL	P	794	79
1250250	POWER STEERING RESERVOIR, FRAME MOUNTED W/COOLER	P	154	2
1353545	PHP10 ALUMINUM PRESET HUBS	P	34	0
1380270	BENDIX AIR CAM FRONT DRUM BRAKES 16.5X6	P	102	4
1380490	PACCAR WIDE TRACK IPO STD FRONT AXLE(S)	P	0	15
1391410	GUSSETED CAM BRACKETS, STEER AXLE	P	24	0
REAR AXLE AND EQUIPMENT				
1526150	MERITOR MT40-14X 40,000 LBS.	P	7,360	2,103
1616360	PHP10 ALUMINUM PRESET HUBS	P	92	60-
1631310	STANDARD STROKE PARKING BRAKES	P	8-	0
1680450	REAR BRAKE CAMSHAFT REINFORCEMENT	P	94	9
1680460	HEAVY WALL, DRIVE AXLE(S)	P	520	88
1680490	GUSSETED CAM BRACKETS, DRIVE AXLE(S)	P	24	2
1680500	SBM VALVE	P	0	0
1680545	TANKER HEIGHT BETWEEN 75" AND 85" FROM TOP OF FRAME RAIL. BENDIX ESP TANK/PUMP	P	0	0
1680950	STABILITY SYSTEM NOT SELECTED OR NOT AVAILABLE	P	0	0
1682430	ANTI-LOCK BRAKING SYSTEM (ABS) 4S4M	P	0	0

CODE	DESCRIPTION	PUB CD	PRICE	WEIGHT
1684200	SYNTHETIC AXLE LUBRICANT ALL AXLES	P	0	0
1687010	BENDIX AIR CAM REAR DRUM BRAKES 16.5X7	P	0	0
1687090	DIFF LOCK TANDEM AXLES WITH SPEED INTERLOCK	P	1,739	60
1687348	TANDEM DRIVE AXLE (MODEL 348)	P	0	0
1704880	RATIO 4.88 REAR AXLE	P	0	0
1821800	PETERBILT AIR TRAC 40,000 LBS., 52" AS LIGHT WEIGHT	P	2,309	496
1911330	STEEL SUSP INSERT TO EOF 10-3/4X3/8 USE WITH 11-5/8" FRAME RAIL	P	1,432	0
1922260	DASH MTD DUMP SWITCH WITH INDICATOR LIGHT FOR SUSPENSION	P	34	2
ENGINE AND ENGINE EQUIPMNT				
2074506	PACCAR PX-9 350@2000 GOV@2200 1000@1400 PRODUCTIVITY (2017 EMISSIONS)	P	3,426	0
2091310	ENGINE IDLE SHUTDOWN TIMER DISABLED	P	0	0
2091372	EFF EIST NA EXPIRATION MILES	P	0	0
2091640	EFFECTIVE VSL SETTING NA	P	0	0
2140010	BELLY PAN	P	191	35
2140200	CARB ENGINE IDLING COMPLIANCE	P	0	0
2141990	OMIT CHEVRON ENGINE OIL STICKER (DELO)	P	4-	0
N2132	N205 68...STANDARD MAXIMUM SPEED LIMIT			
N2133	N207 0....EXPIRATION DISTANCE (N207)			
N2134	P005 120...HARD MAXIMUM SPEED LIMIT (P1			
N2135	P001 68...MAXIMUM ACCELERATOR PEDAL VE			
N2136	P110 0....ACCELERATOR LOWER DROOP (P11			
N2137	P059 68...MAXIMUM CRUISE SPEED (P059)			
N2138	P111 0....CRUISE CONTROL LOWER DROOP (
N2140	N203 252...RESERVE SPEED FUNCTION RESET			
N2141	N202 0....MAXIMUM CYCLE DISTANCE (N202			
N2142	N206 10....MAXIMUM ACTIVE DISTANCE (N20			
N2143	N201 0....RESERVE SPEED LIMIT OFFSET (
N2144	P015 NO...ENGINE PROTECTION SHUTDOWN (
N2145	P026 NO...GEAR DOWN PROTECTION (P026)			
N2146	P046 1400..MAX PTO SPEED (P046)			
N2147	P062 NO...CRUISE CONTROL AUTO RESUME (
N2148	P068 NO...AUTO ENGINE BRAKE IN CRUISE			
N2150	N209 0....EXPIRATION DISTANCE (N209)			
N2151	P520 YES...ENABLE IDLE SHUTDOWN PARK BR			
N2152	P030 5....TIMER SETTING (P030)			
N2153	P233 YES...ENABLE IMPENDING SHUTDOWN WA			
N2154	P234 60....TIMER FOR IMPENDING SHUTDOWN			
N2155	P516 35....ENGINE LOAD THRESHOLD (P516)			
N2157	P031 NO...IDLE SHUTDOWN MANUAL OVERRUL			
N2159	P230 YES...ENABLE HOT AMBIENT AUTOMATIC			
N2161	P172 40....LOW AMBIENT TEMPERATURE THRE			
N2162	P173 60....INTERMEDIATE AMBIENT TEMPERA			
N2163	P171 80....HIGH AMBIENT TEMPERATURE THR			
2513060	PACCAR 160 AMP ALTERNATOR, BRUSHED	P	0	0

CODE	DESCRIPTION	PUB CD	PRICE	WEIGHT
2521090	IMMERSION TYPE BLOCK HEATER 110-120V SEE SALES TOOL DESC FOR PLUG LOCATION	P	82	2
2522110	PACCAR 12V STARTER N/A PACCAR MX ENGINES	P	0	0
2538040	3 PACCAR PREMIUM 12V DUAL PURPOSE BATTERIES, 2190 CCA	P	282	62
2539740	KISSLING BATTERY DISCONNECT SWITCH 300 AMP; MOUNTED ON BATTERY BOX 2/21/13: R-220 PER ASAP OMD (FJJ)	P	183	2
2621000	2-SPEED FAN CLUTCH FOR FREQUENT START/STOPS	P	373	0
2723210	18.7 CFM AIR COMPRESSOR N/A X15	P	0	0
2812140	C-BRAKE BY JACOBS, PX-9	P	2,308	90
2921160	SPIN-ON FUEL/WATER SEPARATOR	P	0	0
2921210	NO FLUID HEAT OPTION FOR FUEL FILTER	P	0	0
2921320	12V HEAT FOR FUEL FILTER	P	58	0
3114270	HIGH EFFICIENCY COOLING SYSTEM	P	0	0
3211120	RADIAL SEAL, DRY TYPE AIR CLEANER FRONTAL AIR INTAKE	P	0	0
3365270	EXHAUST SINGLE RH SIDE OF CAB DPF/SCR RH UNDER CAB (2017)	P	392	29
3381770	CURVED TIP STANDPIPE(S)	P	42	0
3387870	24" HT, 5" DIA STANDPIPE(S) CHROME WITH CLEAR COAT	P	496	0
TRANSMISSION AND CLUTCH				
4052110	ALLISON 3000 RDS-P TRANSMISSION, GEN 5 RUGGED DUTY SERIES	P	10,433	194
4099980	TRANSMISSION APPROVED	U	0	0
N4050	* ALLISON SCAAN #409080.			
4210320	1710 HD DRIVELINE, 2 MIDSHIP BEARINGS	P	635	99
4250160	ALLISON WORLD TRANS PRIMARY SHIFT SCHEDULE 1	U	0	0
4250420	ALLISON 5TH GEN RDS, PKG 223 3000, 3500, 4000, 4500, 4700 TRANS	U	0	0
4250650	LH PTO ACCESS TRANS DIPSTICK TUBE ROUTE ALLISON TRANSMISSION	P	0	0
4252170	AUTO NEUTRAL ACTIVATES W/ PARKING BRAKE	P	16	0
4252890	ALLISON FUELSENSE 2.0 NOT DESIRED	P	0	0
4252950	OMIT ALLISON NEUTRAL AT STOP	P	0	0
4256480	TC-419 TORQUE CONVERTER ALLISON TRANSMISSION	U	0	0
4256640	ALLISON 6-SPEED CONFIGURATION 3000 SERIES TRANS, CLOSE RATIO GEARS	P	0	0
4256920	DASH MOUNTED PUSH BUTTON SHIFTER	P	628	0
AIR AND TRAILER EQUIPMENT				
4510320	BENDIX AD-1S AIR DRYER, HEATER COALESCING FILTER	P	0	0
4519110	MOUNT AIR DRYER RH AS FAR REARWARD AS POSSIBLE	P	50	0

CODE	DESCRIPTION	PUB CD	PRICE	WEIGHT
4520420	PULL CORDS ALL AIR TANKS	P	6	0
4540420	NYLON CHASSIS HOSE	P	0	0
4543330	ALUMINUM POLISHED AIR TANKS OUTSIDE FRAME RAILS	P	333	0
4543340	ALUMINUM PAINTED AIR TANKS	P	211	44-
4611930	BODY CONNECTIONS 5' BOC	P	135	4
TIRES AND WHEELS				
5033410	FF: GY 20PLY 315/80R22.5 ENDURANCE WHA PART: GY756141651 FET: 126	P	850	53
5133080	RR: GY 14PLY 11R22.5 G572 1AD FURL MAX PART: GY138953619 FET: 200	P	1,424	148
5190008	CODE-REAR TIRE QTY 08.			
5220520	FF: ALCOA 89U637 22.5X9.00 CLEAN BUFF ALM	P	479	35-
5320270	RR: ALCOA ULTRA7 22.5 X 8.25 CLEAN BUFF ALM	P	1,256	212-
5390008	CODE-REAR RIM QTY 08.			
FUEL TANKS				
5554160	26" ALUM 90 GAL FUEL TANK LH U/C NON-SLIP FUEL TANK STEP LH U/C	P	241	13
5602090	LOCATION LH UNDER CAB 090 GAL.			
5650810	POLISH (1) ALUMINUM FUEL TANK	P	199	0
5652830	POLISH ALL FUEL / HYDRAULIC TANK STRAPS	P	12	0
5652890	DEF TANK MOUNTED LH BOC	P	0	0
5652990	STD DEF TO FUEL RATIO 2:1 OR GREATER	P	0	0
5653000	POLISHED SS COVER FOR DEF TANK	P	201	0
5655019	DEF TANK SMALL	P	0	0
BATTERY BOX AND BUMPER				
6010670	ALUMINUM SPACE SAVER BATTERY BOX LH BOC BATTERY ACCESS FROM SIDE	P	211	84-
6030150	RUBBER BATTERY PAD IN BOTTOM (1) BATTERY BOX	P	9	2
6030540	POLISH BATTERY/TOOL BOX(S) AFTERTREATMENT CAB ENTRY, COMPLETE	P	385	0
6040550	AFTERTREATMENT RH U/C ALUM NON-SLIP CAB ENTRY STEP	P	0	0
6113050	ALUMINUM CHANNEL BUMPER SS CLAD 2 TOW POINTS	P	532	4-
CAB AND EQUIPMENT				
6510110	ALUM CAB 108" BBC METTON HOOD W/BRIGHT FINISH CROWN	P	0	0
6540120	SEVERE SERVICE CAB PACKAGE #1 INCLUDES ALUM SIDE SKINS, ALUM REAR	P	134	40
6540160	THERMAL INSULATION PACKAGE IN CAB	P	19	2
6800360	FENDER LIPS 2" WIDE	P	97	9
6911700	PETERBILT ULTRARIDE DRIVER SEAT	P	0	0
6921700	PETERBILT ULTRARIDE PASSENGER SEAT	P	0	0

CODE	DESCRIPTION	PUB CD	PRICE	WEIGHT
6930060	DRIVER SEAT HEATED AVAIL W/PETERBILT, ULTRARIDE, AND SEARS	P	105	4
6930500	DRIVERS ARMREST - RH ONLY	P	35	2
6930590	PASSENGER ARMREST - LH ONLY	P	35	2
6930800	BLACK SEAT COLOR IPO STD COLOR	P	0	0
6931130	SEAT BELT COLOR RED IPO STANDARD BLACK	P	10	0
6939400	AIR RIDE DRIVER	P	0	0
6939420	HIGH BACK DRIVER	P	0	0
6939470	VINYL DRIVER	P	0	0
6939510	NON-AIR RIDE PASSENGER	P	0	0
6939540	LOW BACK PASSENGER	P	21-	0
6939570	VINYL PASSENGER	P	0	0
7000440	MANIFEST POUCH ON REAR CAB WALL	P	34	0
7001520	ADJUSTABLE STEERING COLUMN TILT/TELESCOPE	P	113	11
7001620	STEERING WHEEL WITH PETERBILT LOGO	P	0	0
7036120	INTERIOR GRAY / BLACK	P	0	0
7210390	CAB REAR CORNER WINDOWS - STD TINT	P	544	4
7210420	DARK WINDOW TINT IPO STD - DAY CAB	P	21	0
7210430	EXTENDED REAR WINDOW IPO STD - DAY CAB	P	67	18
7210540	DAY CAB REAR WINDOW	P	0	0
7230060	ONE-PIECE CURVED WINDSHIELD	P	0	0
7322010	COMBO FRESH AIR HEATER/AIR CONDITIONER	P	0	0
7410040	OUTSIDE SUNVISOR - STAINLESS STEEL N/A W/ 2.1M HR SLEEKER	P	193	4
7561180	AERO MIRRORS EA SIDE HYD & MTRZD 4-WAY ADJUSTABLE BRIGHT FINISH WITH CONVEX	P	521	4
7564110	POWER PACKAGE INCLUDES PWR DOOR LOCKS & WINDOWS	P	343	0
7610020	(1) AIR HORN 15" PAINTED MOUNTED UNDER CAB	P	172	9
7725710	STANDARD SPEAKER PACKAGE FOR CAB (2) SPEAKERS	P	118	4
7725715	CONCERTCLASS W/O CD, INCLUDES BT PHONE & AUDIO, AM/FM, WB, USB AND MP3	P	324	11
7740100	COBRA 40 CHANNEL CB RADIO WITH INTEGRAL SPEAKER	P	236	11
7748500	CB ANTENNA MOUNTING, LH MIRROR 1.9M AVAIL W/ RAMI, MD AVAIL W/O RAMI	P	47	0
7850210	PLUG-IN AUTO RESET CIRCUIT BRKR IPO FUSES IN JUNCTION BOX	P	40	0
7851480	PB ELEC WINDSHIELD WIPERS W/INTERMITTENT FEATURE	P	0	0
7851780	CABMATE CAB AIR SUSP	P	766	15
7900090	TRIANGLE REFLECTOR KIT SHIP LOOSE	P	17	13
7900270	FIRE EXTINGUISHER, CAB MOUNTED HAZMAT APPROVED UL LISTED/RATED ABC	P	54	9
7901130	BACKUP ALARM (107 DB)	P	53	2
8011400	MAIN TRANSMISSION OIL TEMPERATURE GAUGE LOCATED IN DRIVER INFORMATION DISPLAY	P	13	0

CODE	DESCRIPTION	PUB CD	PRICE	WEIGHT
8021380	AIR RESTRICTION INDICATOR MTD ON AIR CLEANER, INTAKE PIPING, OR FIREWALL	P	0	0
8071340	BRIGHT BEZEL GAUGES IPO BLACK	P	50	0
8071870	MAIN INSTRUMENTATION PANEL GRAPHICS DISPLAY	P	0	0
8111110	HEADLIGHTS COMPOSITE FENDER MOUNTED INTEGRAL PARK, TURN, & SIDE MARKER	P	0	0
8120980	(5) MARKER LIGHTS, AERO LED	P	0	0
8133470	SWITCH & WIRING FOR F/O BEACON/STROBE 10' WIRE BOC/BOS AT REAR SILL	P	56	2
8134070	(2) ADDITIONAL DOME/READING LIGHTS CEILING MOUNTED	P	50	0
8140120	INCANDESCENT SQR STOP/TURN/TAIL/BACKUP LH/RH SQUARE BOF OR DROPPED A-BRACE	P	0	0
8153100	(1) F/O LOAD LIGHT, SWITCH, 10' WIRE COIL UNDER/IN CAB/SLEEPER	P	19	2
PAINT				
8500710	STANDARD PAINT COLOR SELECTION	P	200-	0
8530770	(1) COLOR AXALTA TWO STAGE PAINT CAB/HOOD	P	0	0
N8502	A - L0006EY WHITE			
N8520	FRAME L0001EA BLACK			
N8530	FENDER L0006EY WHITE			
N8540	HOOD TOP L0006EY WHITE			
N8550	CAB ROOF L0006EY WHITE			
MISCELLANEOUS				
9409800	2017 EPA EMISSIONS ENGINE WARRANTY ONLY	P	0	0
9409960	PRESENTATION CREATED USING FEATURED SPEC FOR MODEL	P	0	0
9490082	APPLICATIONS CONTACT: CHRIS PULTE	U	0	0
N9994	EMAIL:			
N9995	CELL PHONE:			
N9996	SALESPERSON ID: JONWHITED			
N9997	DEALER CONTACT			
N9998	NAME: JON WHITED			
N9999	CEP 07/30/19 OC008			

PETERBILT
VMXXR036-1

CHASSIS FINAL BILL
FOR VIN 2NP3LJ0X9LM652932
UNIT TYPE 2 OF FLEET 652932 THRU 652933

PAGE 008
AS OF 09/23/19

CODE	DESCRIPTION	PUB CD	PRICE	WEIGHT
** TOTAL ESTIMATED WEIGHT				15,183
TOTAL LIST PRICE			155,967	

BELOW CHARGES NOT INCLUDED IN TOTAL LIST PRICE
9511416 - Q1 MP 18-11 TIER 3

ADJUSTED LIST PRICE

PROMOTION PROGRAM CODE 0001246 @ 0.00 % 0
18-11

OPTIONAL EXT WTY & PRV MNT
9400091 - PETERBILT CLASS 7 STANDARD COVERAGE 0
1 YEAR/UNLIMITED MILES/KM
9400094 - PACCAR PX-9 STANDARD COVERAGE 0
2 YRS/250,000 MI (402,336 KM)/6,250 HRS
TOTAL OPTIONAL EXT WTY & PRV MNT 0

TOTAL TIRE FET INCLUDED -- AS PRODUCED 326

MARKETING PROGRAMS AND PROMOTIONS 625

** WEIGHT SHOWN HERE IS AN ENGINEERING ESTIMATE AND DOES NOT INCLUDE
UNPUBLISHED OPTIONS. ACTUAL "SHIPPING" WEIGHT MAY VARY.

Mayor Merandy + Board,

The Video states that I wasn't sure if the basin in front of John Martin's residence runs back to the brook across from the sewer plant. After the County HD sucked it out, I am 100% positive that it does. These pictures are to help w/ the video

Pictures:

A) A hole where water blows up out of the ground before the main break in the pipe. There are at least two of these between Ulrich's basin & the main break in the pipe. Probably caused by holes in the pipe or breaks.

B) A picture of the trench caused by the broken drain pipe coming down the hill from Ulrich's.

C) Close up picture of the broken pipe on the hillside

D) A picture of the pipe after the break that is buried in the ground. I see other sections of the pipe throughout the trench, and the final place I see the pipe is about 20' North of Ruppert Holmes' driveway where it goes back underground

E) A picture of the pipe that comes into the catch basin in front of Martin residence. I believe this to be an 12" pipe. The ~~the~~ pipe flowing out of the same basin, I believe is an 18" pipe

F) A picture of the basin in front of Martin's residence showing where the pipes flow in + out of.

G) Picture of where the brook + the catch basin @ Martin residence tie in together to flow under Fair St. (towards the sewer plant) to the 3' drain pipe that runs N. along Fair St. to the Swamp

H) Overview of the plots of land where the pipe runs, and how + where that section of drainage works













Catch basin on Fair st, in front of John Martin residence. This was taken while the County truck was sucking it out. #1 is where the broken pipe feeds into from basin @ Urlich's Residence. #2 is where the pipe is for the water to drain out to the brook across from the sewer plant. Both inlet & outlet pipes are clogged.

Here the brook
Martin's basin
flow under Fair
St. to connect
w/ the 3" drain
pipe that runs
along Fair St.
to the Swamp



Where the water
from Martin's Cate
basin flows to
drain out to the
brook



TOWN OF WIN
PHILIPS TOWN
VILLAGE OF
COLD SPRING

HUDSON RIVER

048.000

- ① = break in pipe
- = basins on Grandview + Fair St.
- = basin @ Martin residence
- = Broken pipe
- = 3' drain pipe to Swamp
- = Where water from Martin's Catch basin flows out and ties in with the 3' drain pipe to the Swamp

DATE	DESCRIPTION

SPECIAL DISTRICT INFORMATION

DATE	DESCRIPTION

DATE	DESCRIPTION

DATE	DESCRIPTION

DATE	DESCRIPTION

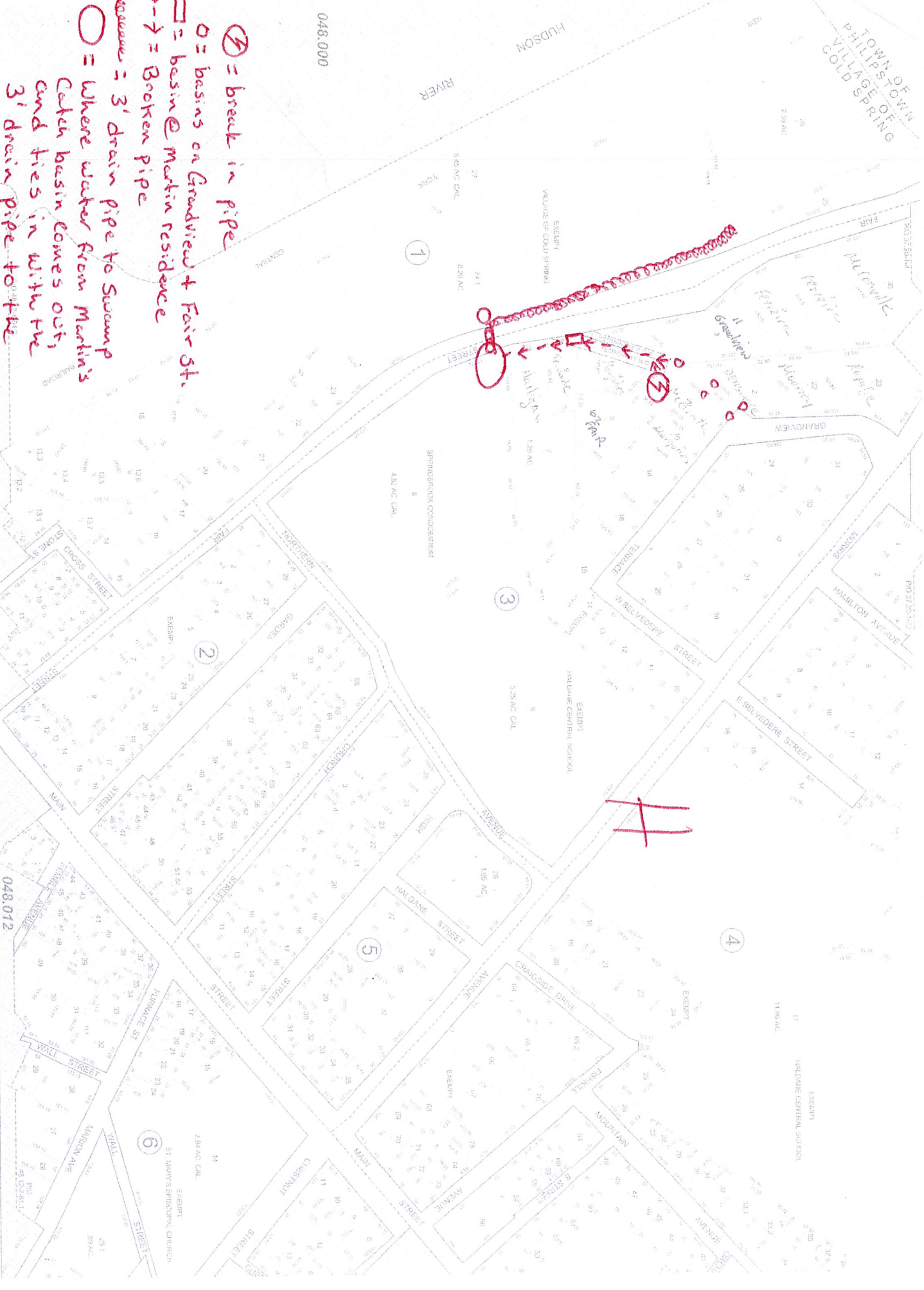
DATE	DESCRIPTION

DATE	DESCRIPTION

DATE	DESCRIPTION

DATE	DESCRIPTION

PRELIMINARY SCALE



048.012

MAN SCALE